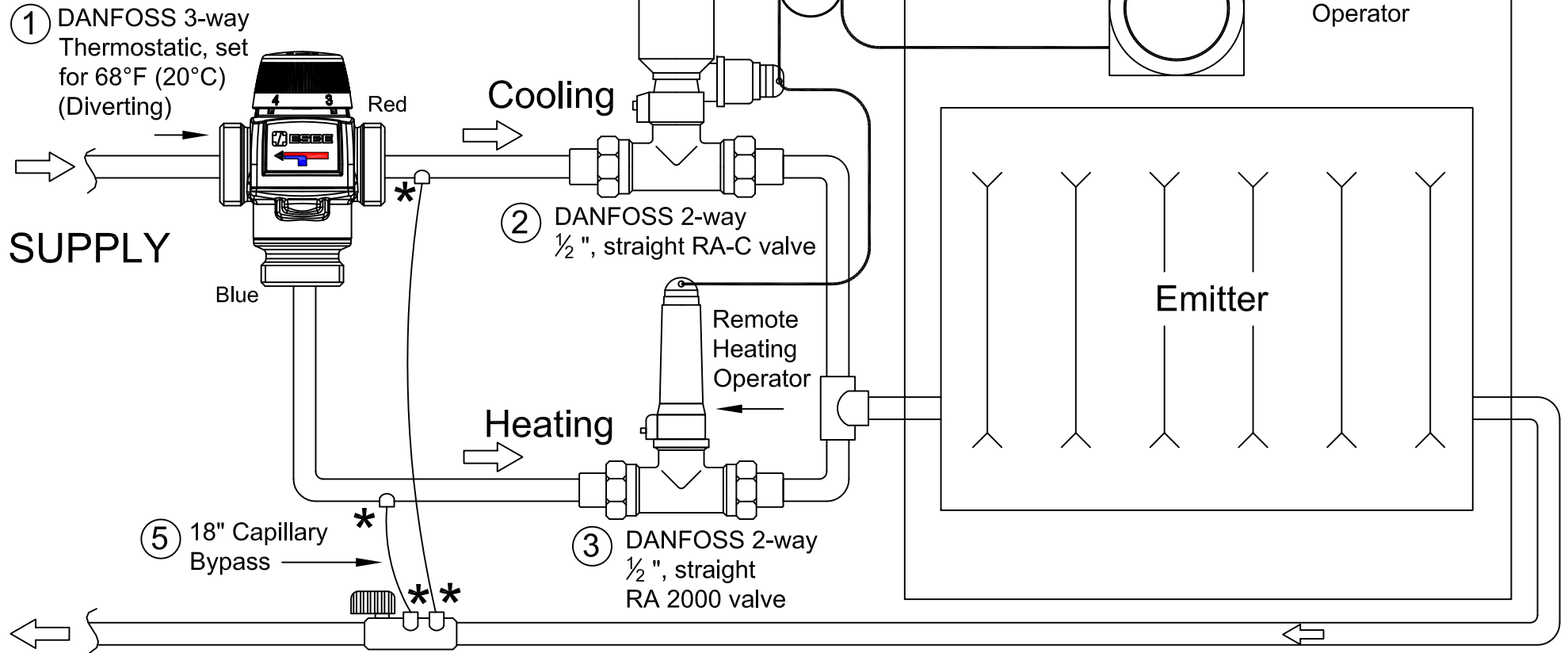


# Climate Controls Application

## 2-pipe Heat/Cool Changeover

### Typical Piping Layout



**RETURN**

\* Tees, pipe fittings and 1/4" male flare x 1/8" male NPT adapters for bypass are not supplied by Danfoss.

Danfoss can accept no responsibility for possible errors in printed matter and reserves the right to alter its products without notice.



Schematic: 2-Pipe Heat/ Cool Changeover		
Product: RA 2000 operator, RA-C, RA 2000		
File name: VTA 2PHC_changov.dwg		
Created: Aug 2012		
Scale: None	Edition: 3	Sheet 1 of 1

**Note:**

- The installation of the 2-way valves should be oriented in the proper flow direction
- Thermostatic mixing valve (TMV) is used as a diverting valve:
  - Chilled water is diverted to the RA-C valve
  - Hot water is diverted to the RA 2000 valve
- Capillary tubes placed immediately following the TMV providing constant flow across the TMV sensor.

### Product Listing

Ref.	Description	Code #	Qty
1	VTA572 3-way Thermostatic Valve, 68-104°F (20-43°C)	31700200	1
2	3/4" Solder Tailpcs for VTA572 (Union nuts, gaskets and tailpcs)	065B8892	1
2	RA-C, 1/2" strght valve body w/ adj. flow	013G3094	1
	RA-C, 1/2" union nut	013U0496	2
	RA-C, 1/2" solder tail piece	013U8608	2
3	1/2" straight RA 2000 valve, double solder union connection	013G8042	1
4	FED-IF Thermostatic Control Operator for cooling and heating	013G5463	1
5	Capillary bypass with 1/4" flare nuts	060-007066	2
6	Mini Ball valve Cu x Cu with 1/8" branch tappings and isolation	12113BT113	1