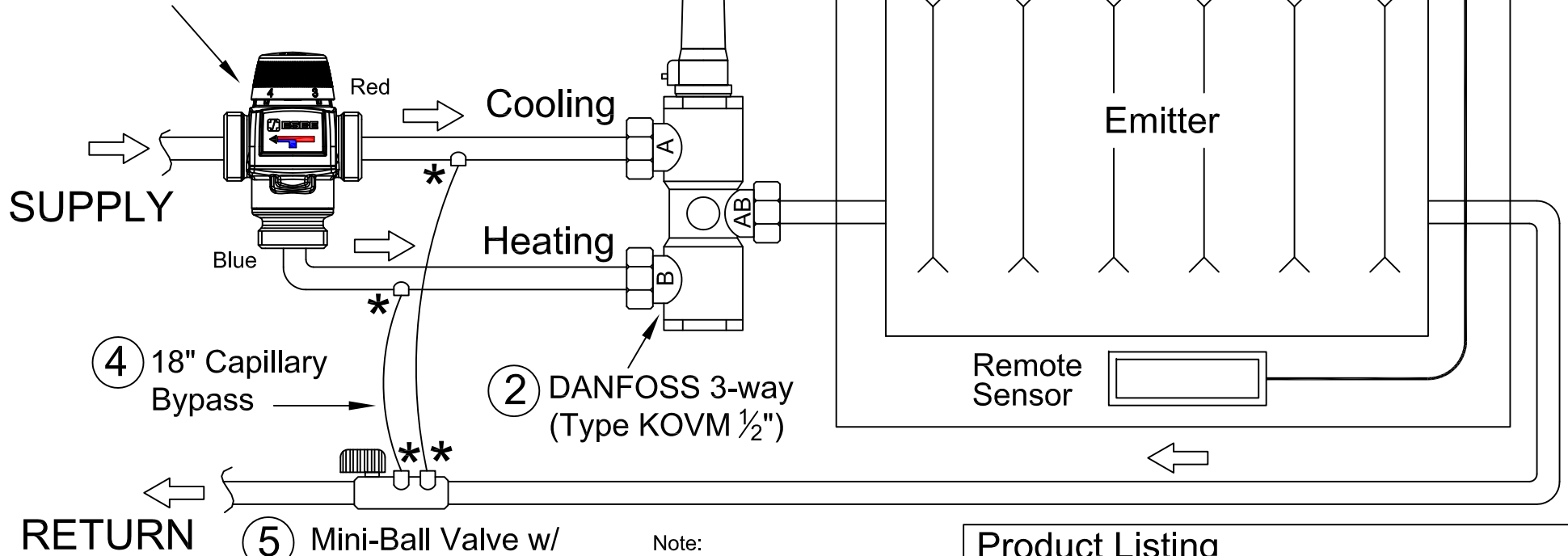


Climate Controls Application

2-pipe Heat/Cool Changeover

Typical Piping Layout

① DANFOSS 3-way
Thermostatic, set for
68°F (20°C) (Diverting)



④ 18" Capillary
Bypass

② DANFOSS 3-way
(Type KOVM 1/2")

⑤ Mini-Ball Valve w/
1/8" branch tappings
and isolation

Note:

- The installation of the valves can be oriented in any direction
- Thermostatic mixing valve (TMV) is used as a diverting valve:
 - Chilled water is diverted to port A of the KOVM
 - Hot water is diverted to port B of the KOVM
- Capillary tubes placed immediately following the TMV providing constant flow across the TMV sensor.

* Tees, pipe fittings and 1/4" male flare x 1/8" male NPT adapters for bypass are not supplied by Danfoss.

Danfoss can accept no responsibility for possible errors in printed matter and reserves the right to alter its products without notice.

Product Listing

Ref.	Description	Code #	Qty
1	VTA572 3-way Thermostatic Valve, 68-104°F (20-43°C)	31700200	1
2	3/4" Solder Tailpcs for VTA572 (Union nuts, gaskets and tailpcs)	065B8892	1
3	3-way valve KOVM 1/2", NPT	013U3017	1
4a	RA 2000 Operator, remote sensor and operator	013G8564	1
4b	RA 2000 Operator, combined remote mounted sensor and operator (not seen)	013G8562	1
5	Capillary bypass with 1/4" flare nuts	060-007066	2
6	Mini Ball valve Cu x Cu with 1/8" branch tappings and isolation	12113BT113	1



Schematic: 2-Pipe Heat/ Cool Changeover		
Product: RA 2000 operator, KOVM, TMV		
File name: VTA 2PHC_changov.dwg		
Created: Aug 2012		
Scale: None	Edition: 3	Sheet 1 of 1